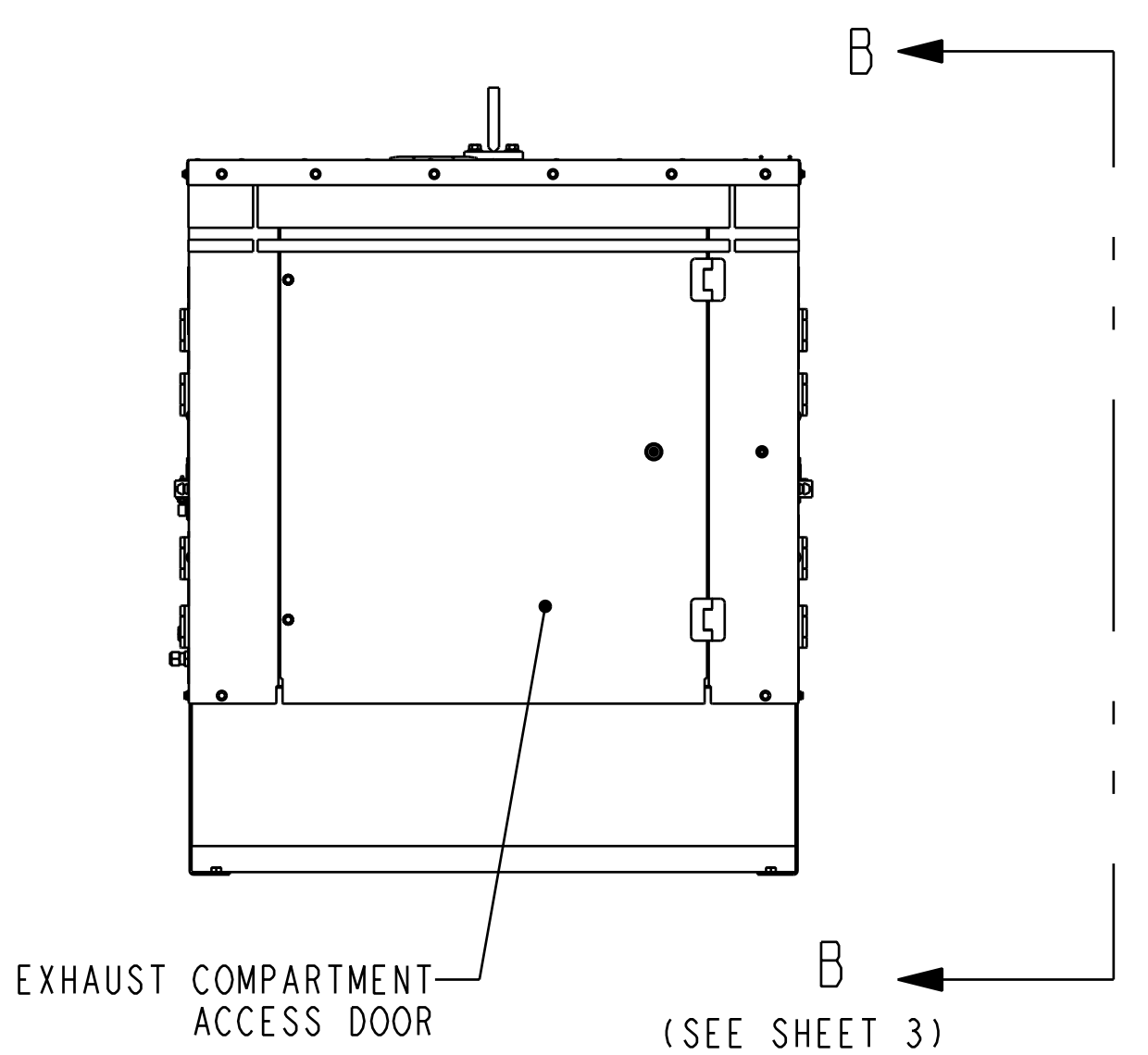
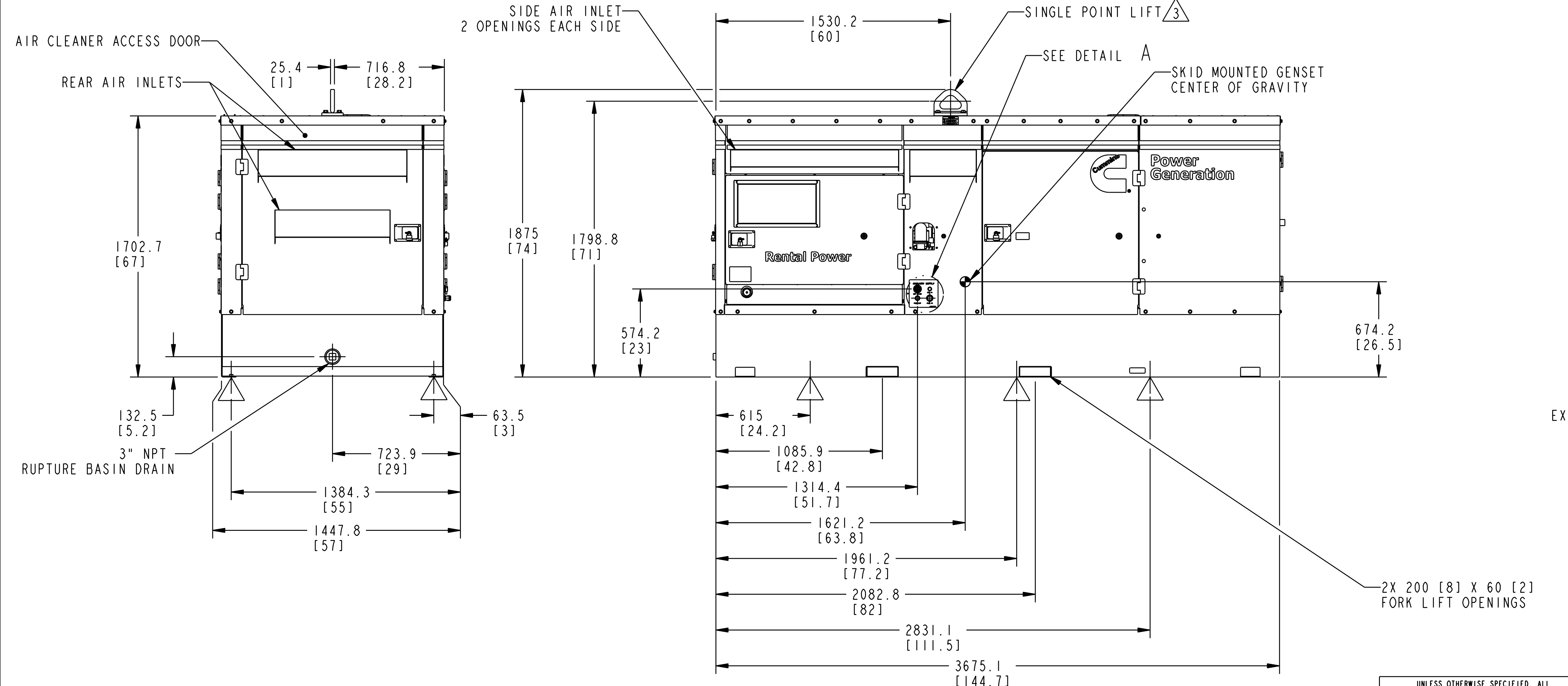
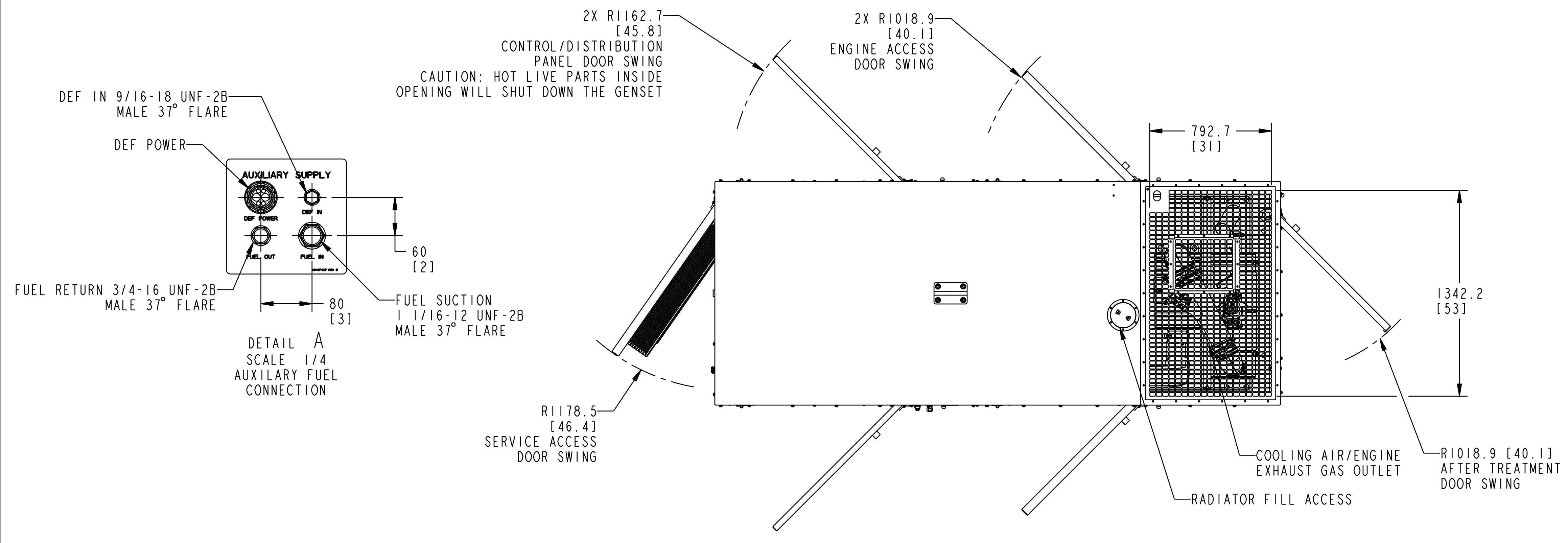


REL NO	REV	NO	REVISION	DWN	CKD	APVD	DATE
ECO-157443	A	1	PRODUCTION RELEASE	ARK	MK	P. VAIDYA	29DEC15

- NOTES:
- DIMENSIONS SHOWN IN [ ] ARE INCHES.
  - 5/8-11 UNC-2B INCH THREADED HOLES MARKED BY  $\triangle$  ARE PROVISIONS FOR SECURING TO A MOUNTING SURFACE.
  - $\triangle$  SINGLE POINT LIFT WILL ACCOMMODATE A  $\varnothing$ 76.2 [3] LIFTING DEVICE.
  - FLUID CAPACITIES:  
ENGINE OIL: 15 LITERS (15.9 QUARTS)  
COOLANT: 36 LITERS (9.5 GALLONS)  
FUEL TANK: 939 LITERS (248 GALLONS)
  - EXHAUST OUTLET DIAMETER: 101.6 [4]
  - GENSET MASS:

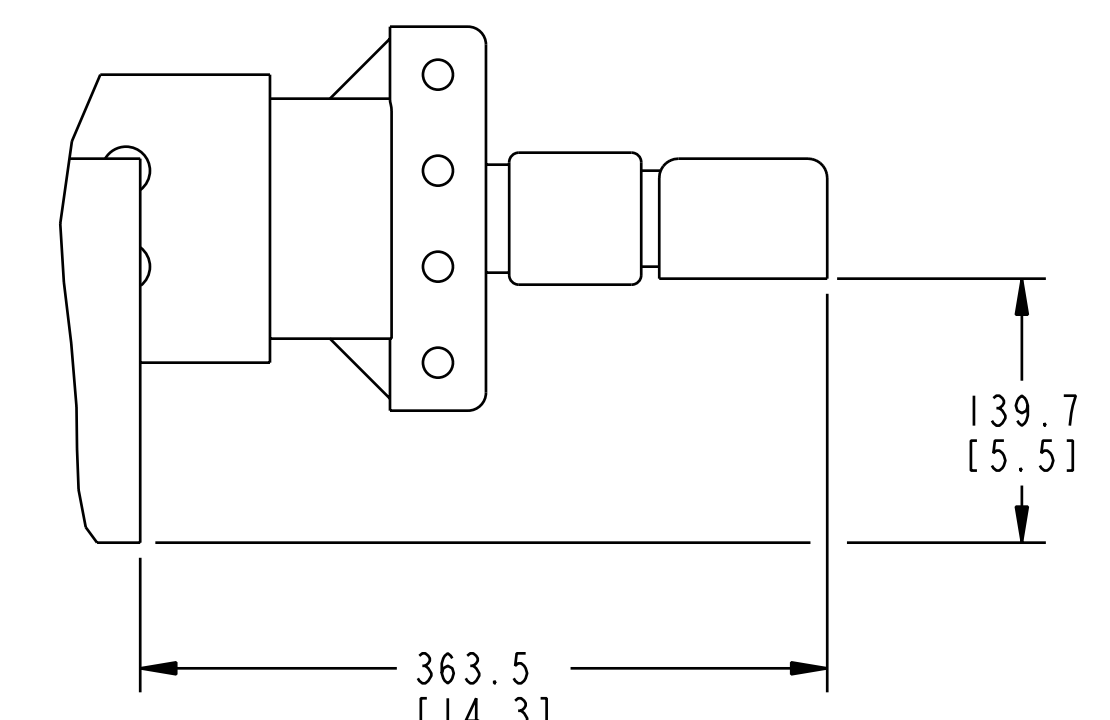
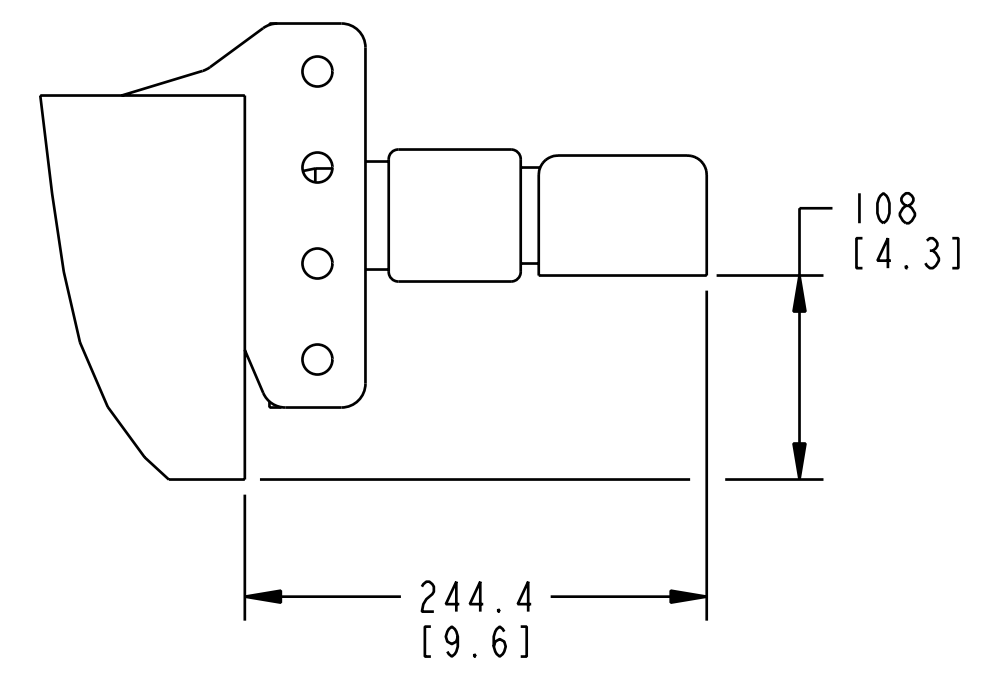
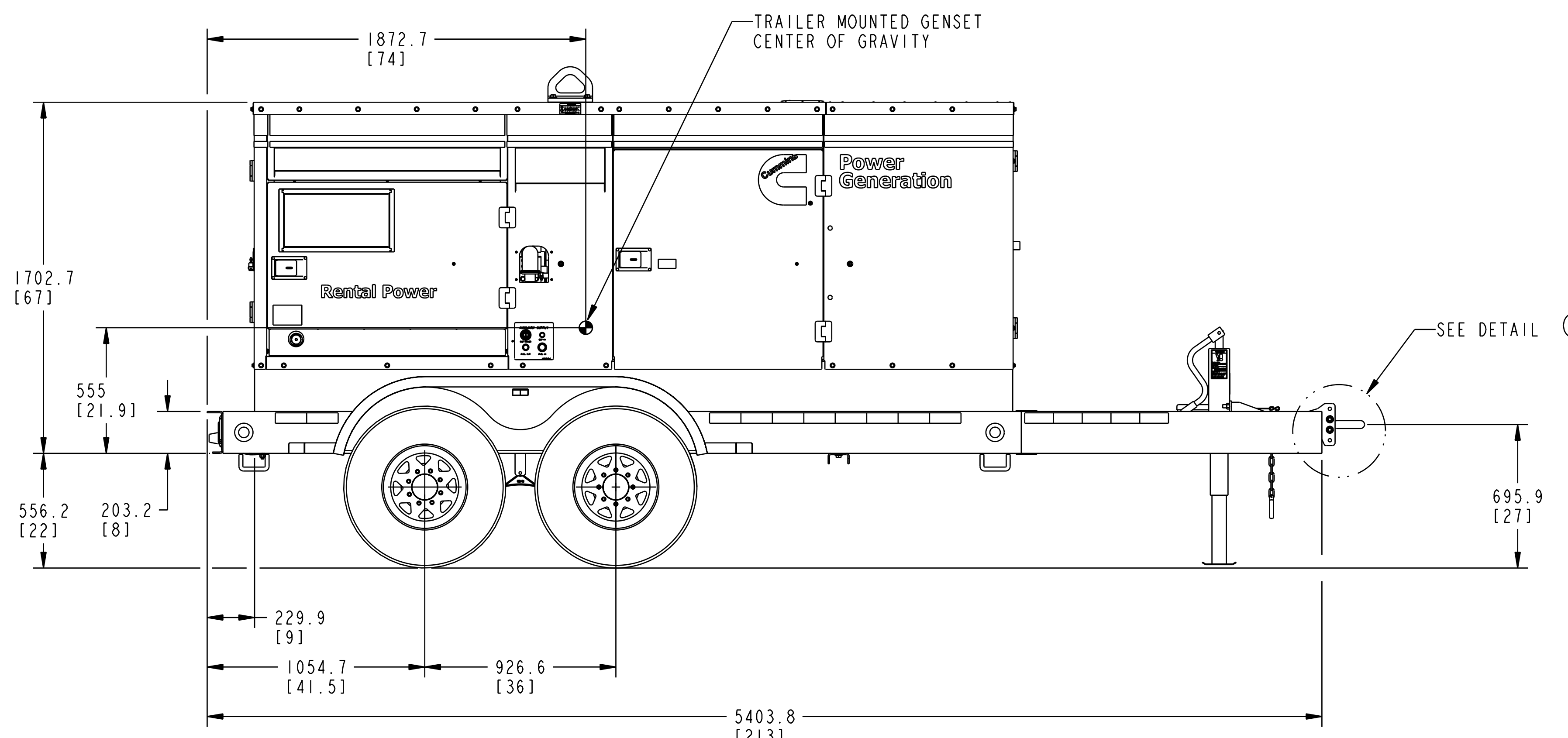
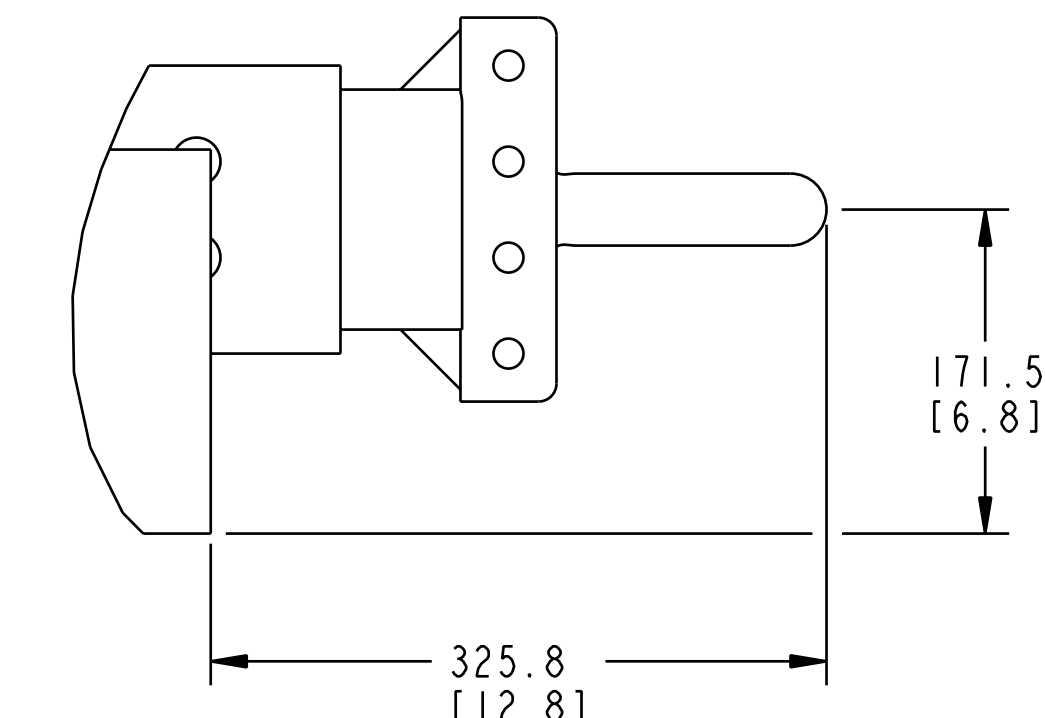
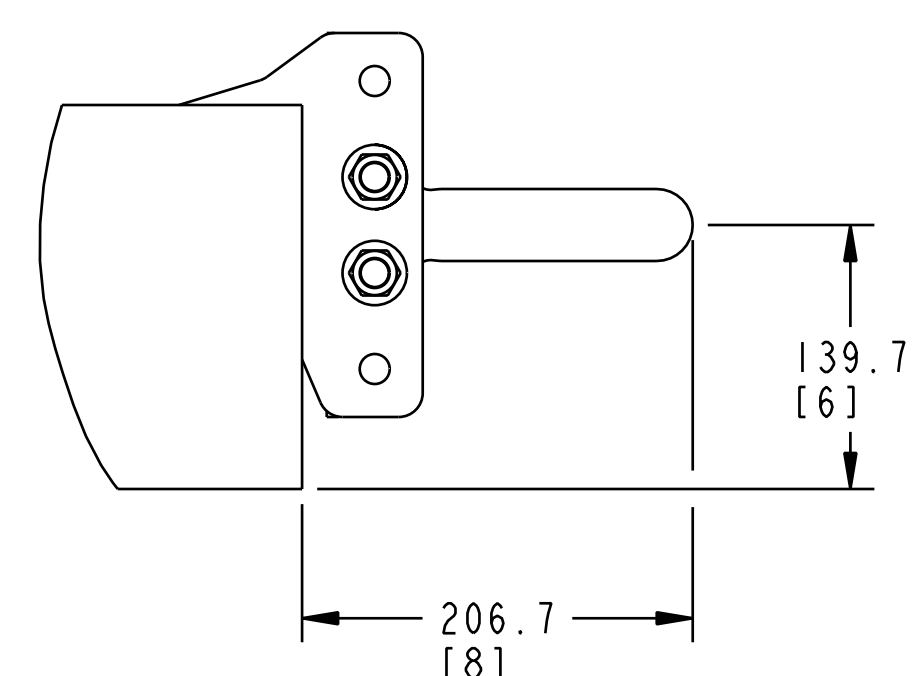
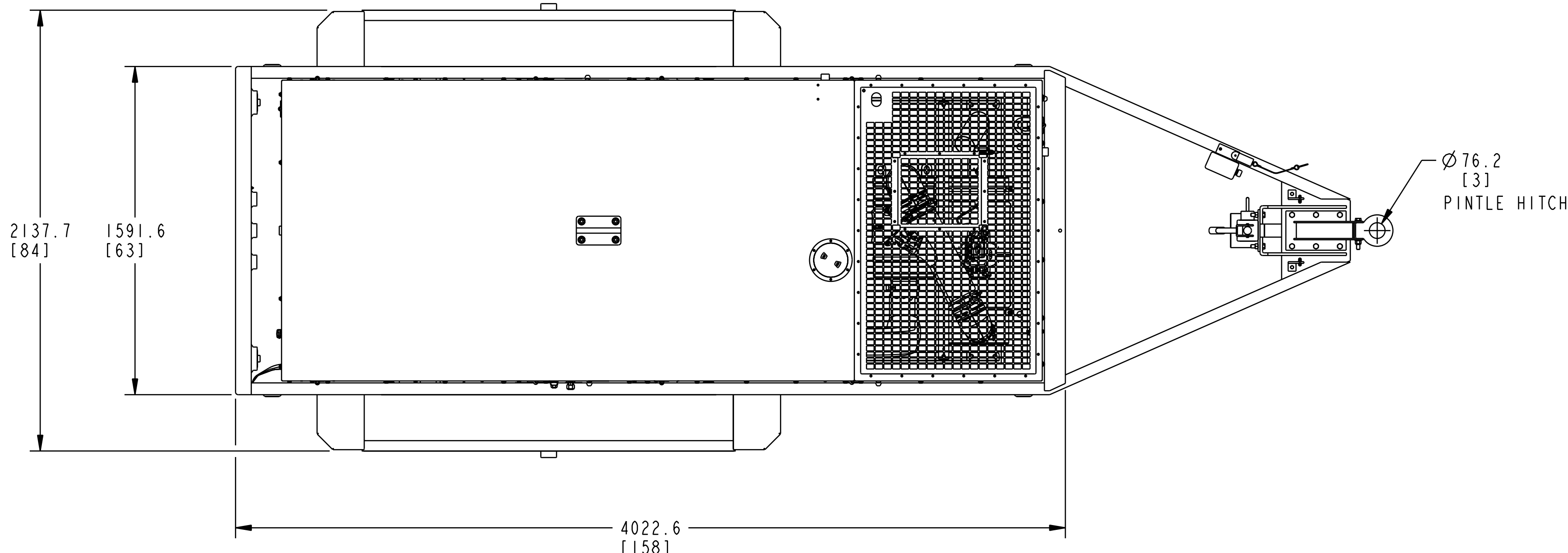
	C150		C200	
	WITH FUEL	WITHOUT FUEL	WITH FUEL	WITHOUT FUEL
SKID MOUNTED	3800 KG [8380 LB]	3020 KG [6660 LB]	4000 KG [8820 LB]	3220 KG [7100 LB]
TRAILER MOUNTED	4530 KG [9990 LB]	3750 KG [8270 LB]	4730 KG [10430 LB]	3950 KG [8710 LB]
TONGUE WEIGHT	N/A	372 KG [820 LB]	N/A	513 KG [1130 LB]



**SKID MOUNTED GENSET (NO TRAILER)**

UNLESS OTHERWISE SPECIFIED, ALL DIMENSIONS ARE IN MILLIMETERS		SIN TO A0452104	DWN A_KULKARNI		CUMMINS POWER GENERATION																							
DO NOT SCALE PRINT			CKD M_KELL		OUTLINE, GENSET																							
<table border="1"> <tr> <th>DIM</th> <th>TOL</th> <th>HOLE</th> </tr> <tr> <td>X ±</td> <td>0.00-4.99</td> <td>+0.15/-0.08</td> </tr> <tr> <td>.X ±</td> <td>5.00-9.99</td> <td>+0.20/-0.10</td> </tr> <tr> <td>.XX ±</td> <td>10.00-17.49</td> <td>+0.25/-0.13</td> </tr> <tr> <td></td> <td>17.50-24.99</td> <td>+0.30/-0.13</td> </tr> </table>		DIM	TOL	HOLE	X ±	0.00-4.99	+0.15/-0.08	.X ±	5.00-9.99	+0.20/-0.10	.XX ±	10.00-17.49	+0.25/-0.13		17.50-24.99	+0.30/-0.13	<table border="1"> <tr> <td>DATE</td> <td>29DEC15</td> </tr> <tr> <td>DATE</td> <td>29DEC15</td> </tr> </table>		DATE	29DEC15	DATE	29DEC15	<table border="1"> <tr> <td>SITE CODE</td> <td></td> </tr> <tr> <td>DATE</td> <td>29DEC15</td> </tr> </table>		SITE CODE		DATE	29DEC15
DIM	TOL	HOLE																										
X ±	0.00-4.99	+0.15/-0.08																										
.X ±	5.00-9.99	+0.20/-0.10																										
.XX ±	10.00-17.49	+0.25/-0.13																										
	17.50-24.99	+0.30/-0.13																										
DATE	29DEC15																											
DATE	29DEC15																											
SITE CODE																												
DATE	29DEC15																											
ANG TOL ± 1.0°	SCALE 19/320	<table border="1"> <tr> <td>FOR INTERPRETATION OF DIMENSIONING AND TOLERANCING, SEE ASME Y14.5-2009</td> <td>FOR INTERPRETATION OF DIMENSIONING AND TOLERANCING, SEE ASME Y14.5-2009</td> </tr> </table>		FOR INTERPRETATION OF DIMENSIONING AND TOLERANCING, SEE ASME Y14.5-2009	FOR INTERPRETATION OF DIMENSIONING AND TOLERANCING, SEE ASME Y14.5-2009	<table border="1"> <tr> <td>FILED USED ON</td> <td>C150/C200</td> </tr> <tr> <td>PGF</td> <td></td> </tr> <tr> <td>SIZE</td> <td>D</td> </tr> <tr> <td>NO</td> <td>A054F941</td> </tr> </table>		FILED USED ON	C150/C200	PGF		SIZE	D	NO	A054F941													
FOR INTERPRETATION OF DIMENSIONING AND TOLERANCING, SEE ASME Y14.5-2009	FOR INTERPRETATION OF DIMENSIONING AND TOLERANCING, SEE ASME Y14.5-2009																											
FILED USED ON	C150/C200																											
PGF																												
SIZE	D																											
NO	A054F941																											

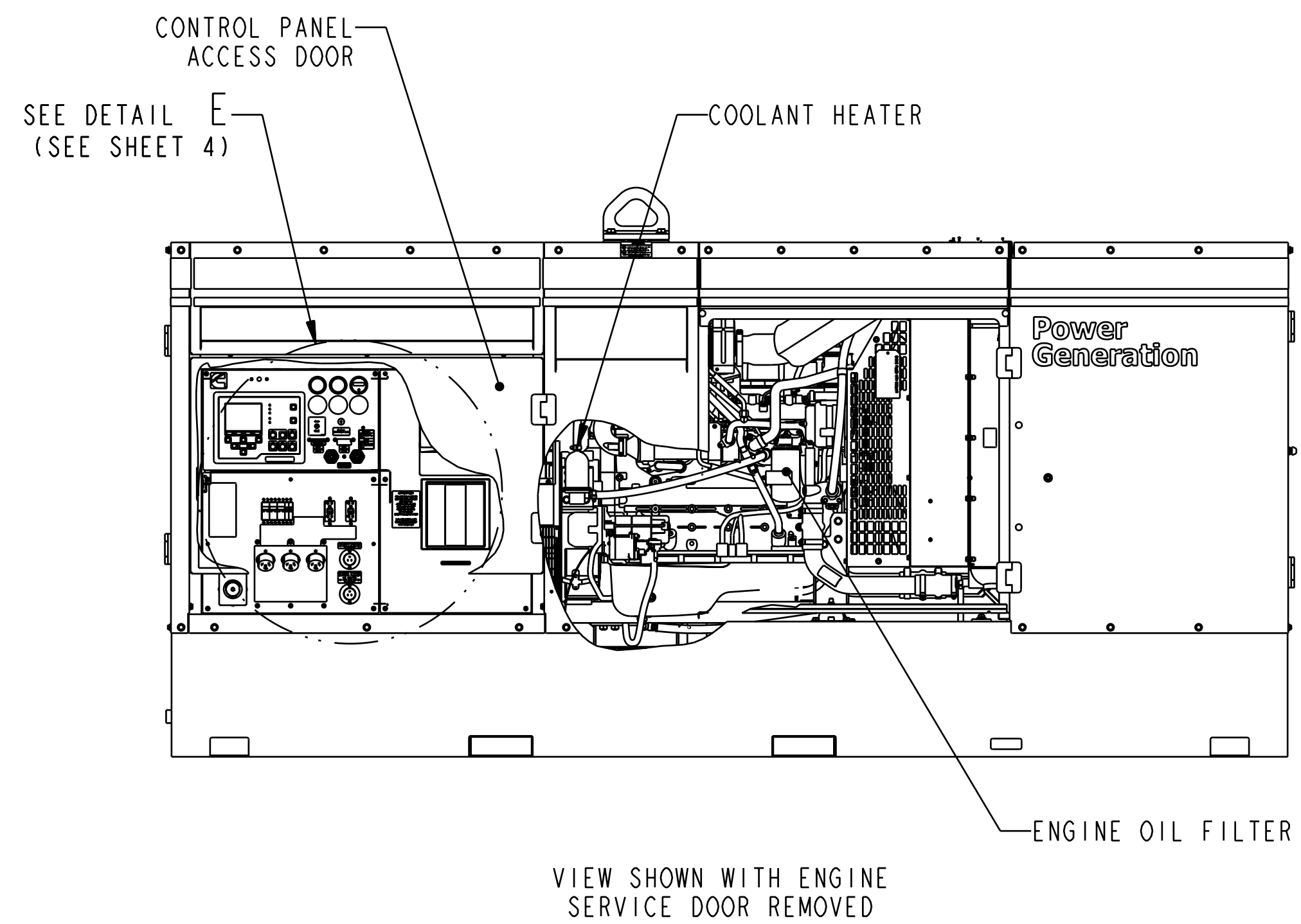
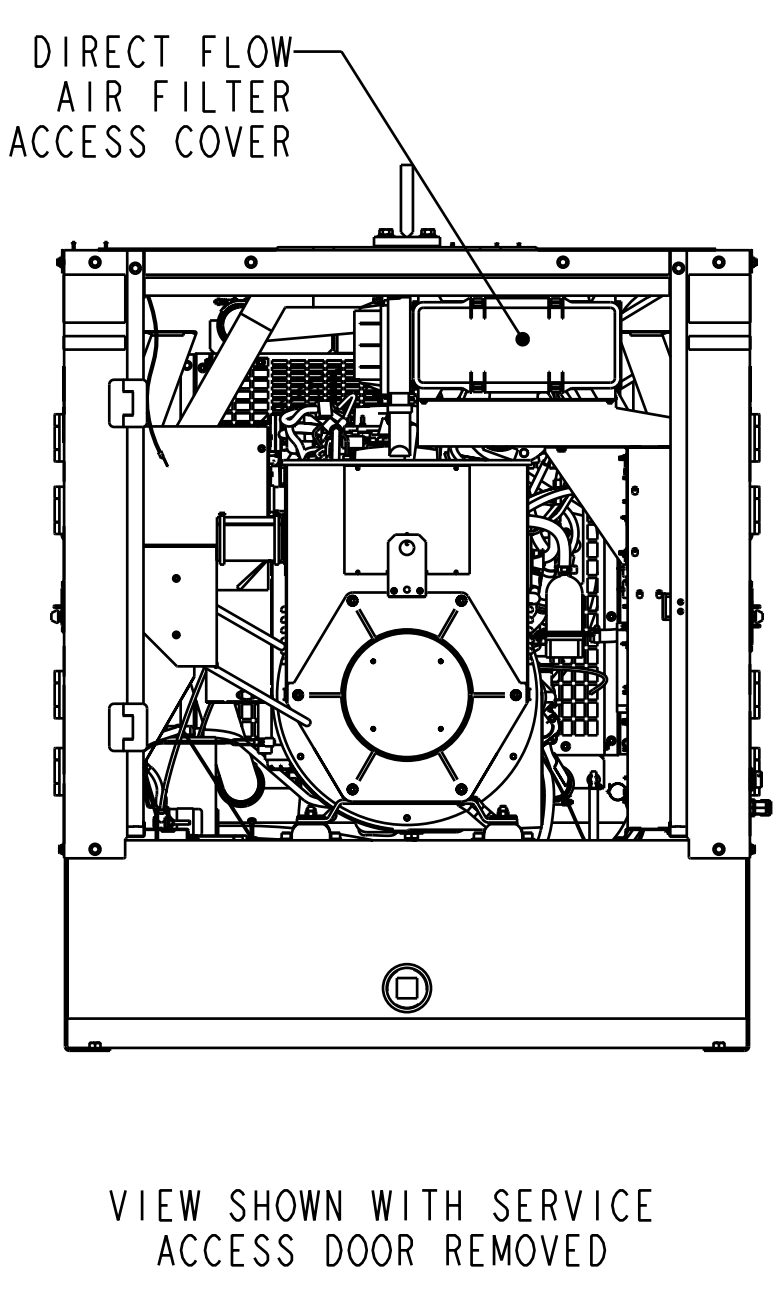
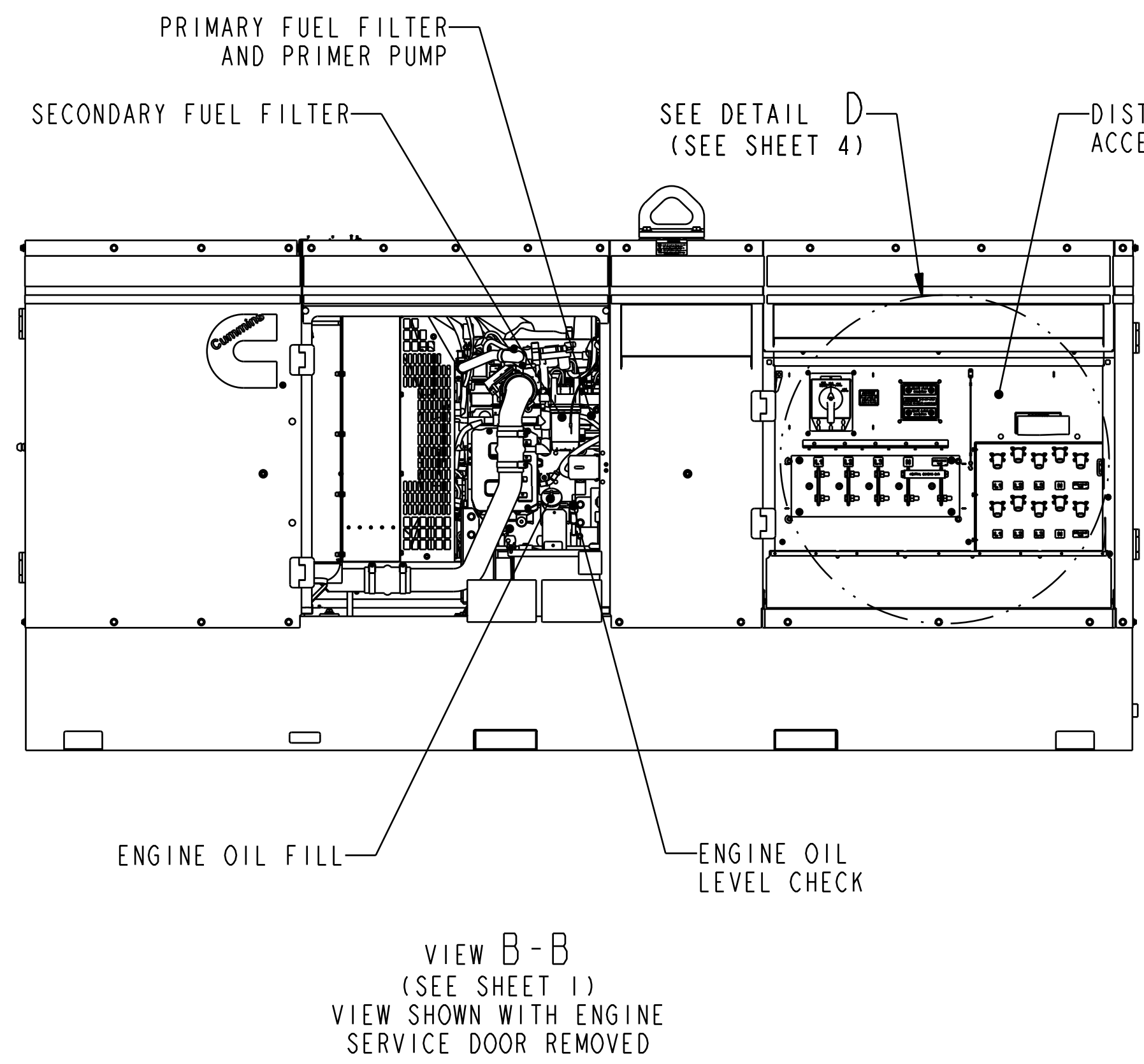
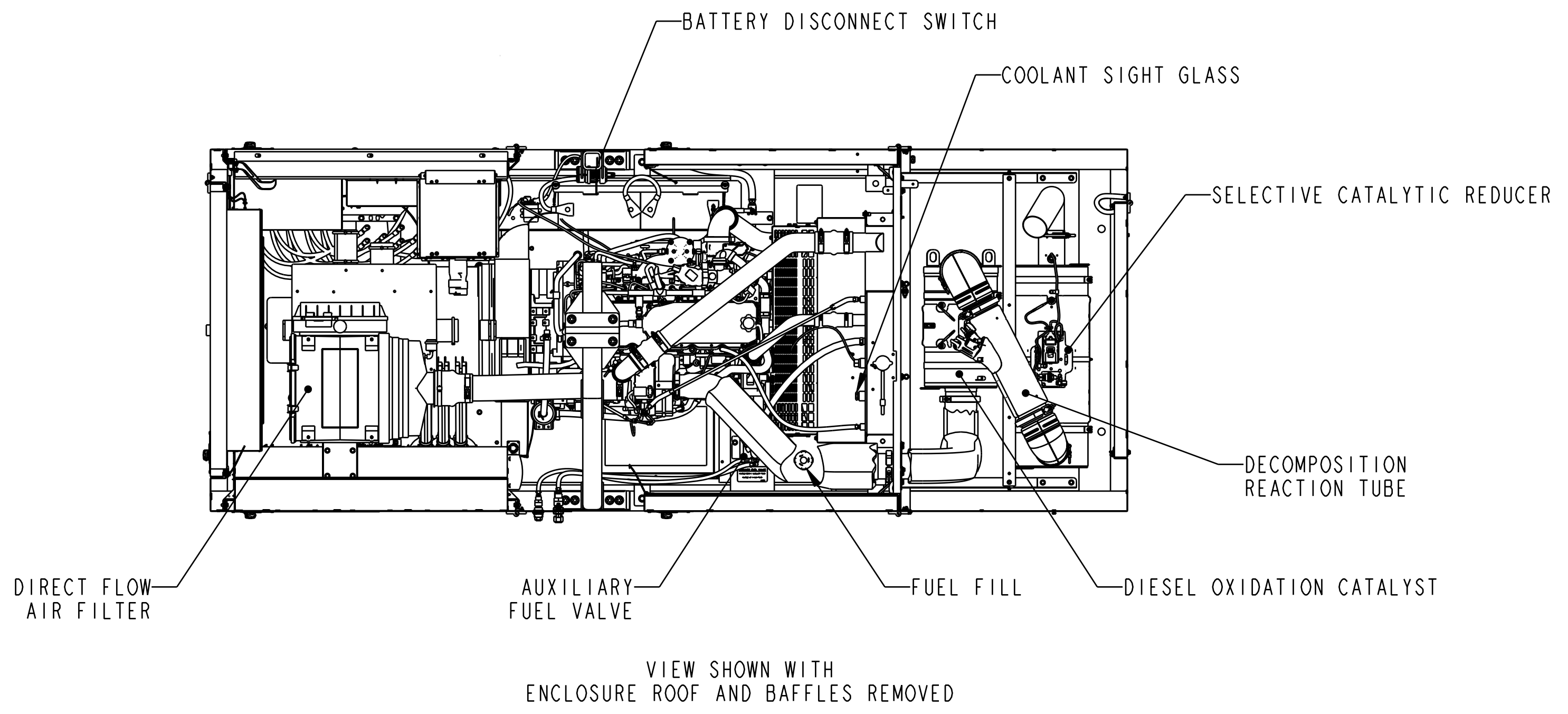
REL NO	REV	NO	REVISION	DWN	CKD	APVD	DATE
ECO-157443	A	1	PRODUCTION RELEASE	ARK	MK	P_VAIDYA	29DEC15



**TRAILER MOUNTED GENSET**

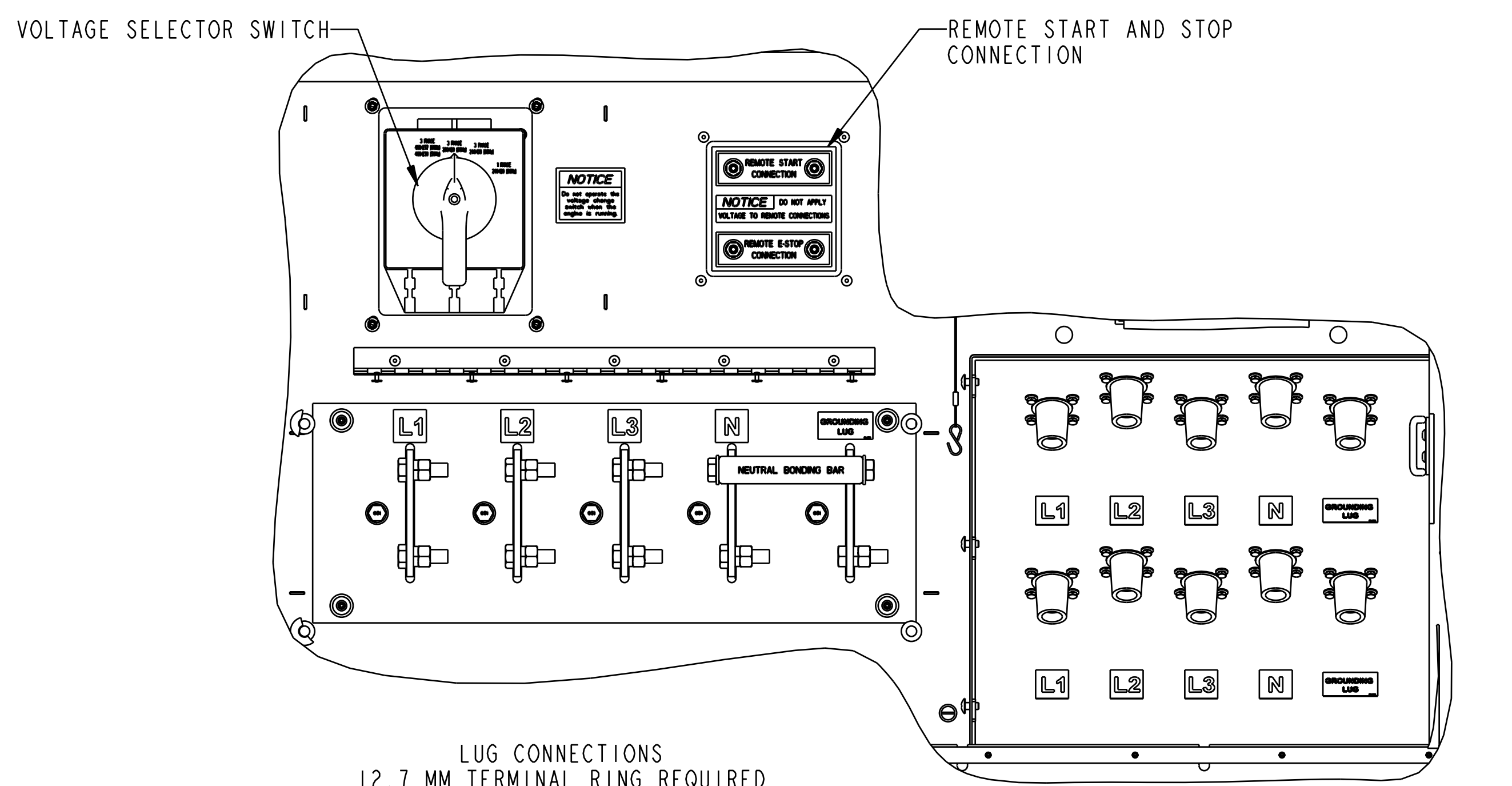
UNLESS OTHERWISE SPECIFIED, ALL DIMENSIONS ARE IN MILLIMETERS		SIN TO A045Z104	DWN A_KULKARNI		CUMMINS POWER GENERATION	
DO NOT SCALE PRINT		CKD M_KELL	DATE 29DEC15		OUTLINE, GENSET	
ANG TOL	SCALE	FOR INTERPRETATION OF DIMENSIONING AND TOLERANCING, SEE ASME Y14.5-2009		PGF	SIZE D	CAD SHEET 2 OF 4
X ±	1/16	0.00-4.99 +0.15/-0.08	DATE 29DEC15	C150/C200	A054F941	
.X ±		5.00-9.99 +0.20/-0.10				
.XX ±		10.00-17.49 +0.25/-0.13				
		17.50-24.99 +0.30/-0.13				

REL NO	REV	NO	REVISION	DWN	CKD	APVD	DATE
ECO-157443	A	1	PRODUCTION RELEASE	ARK	MK	P. VAIDYA	29DEC15



UNLESS OTHERWISE SPECIFIED, ALL DIMENSIONS ARE IN MILLIMETERS			SIN TO A045Z104	DWN A_KULKARNI		CUMMINS POWER GENERATION
DO NOT SCALE PRINT			CKD M_KELL	APVD P_VAIDYA		OUTLINE, GENSET
DIM		HOLE	DATE 29DEC15	SITE CODE		
X ±	0.00 - 4.99	+0.15/-0.08				
.X ±	5.00 - 9.99	+0.20/-0.10				
.XX ±	10.00 - 17.49	+0.25/-0.13				
	17.50 - 24.99	+0.30/-0.13				
ANG TOL	SCALE		FOR INTERPRETATION OF DIMENSIONING AND TOLERANCING, SEE ASME Y14.5-2009	FOR INTERPRETATION OF DIMENSIONING AND TOLERANCING, SEE ASME Y14.5-2009		
± 1.0°	1/16		THIS DOCUMENT AND THE INFORMATION SHOWN THEREON IS CONFIDENTIAL AND PROPRIETARY AND SHALL NOT BE DISCLOSED TO OTHERS IN ANY MANNER WITHOUT WRITTEN CONSENT OF CUMMINS, INC.	THIS DOCUMENT AND THE INFORMATION SHOWN THEREON IS CONFIDENTIAL AND PROPRIETARY AND SHALL NOT BE DISCLOSED TO OTHERS IN ANY MANNER WITHOUT WRITTEN CONSENT OF CUMMINS, INC.	PGF	CAD SHEET 3 OF 4
					A054F941	

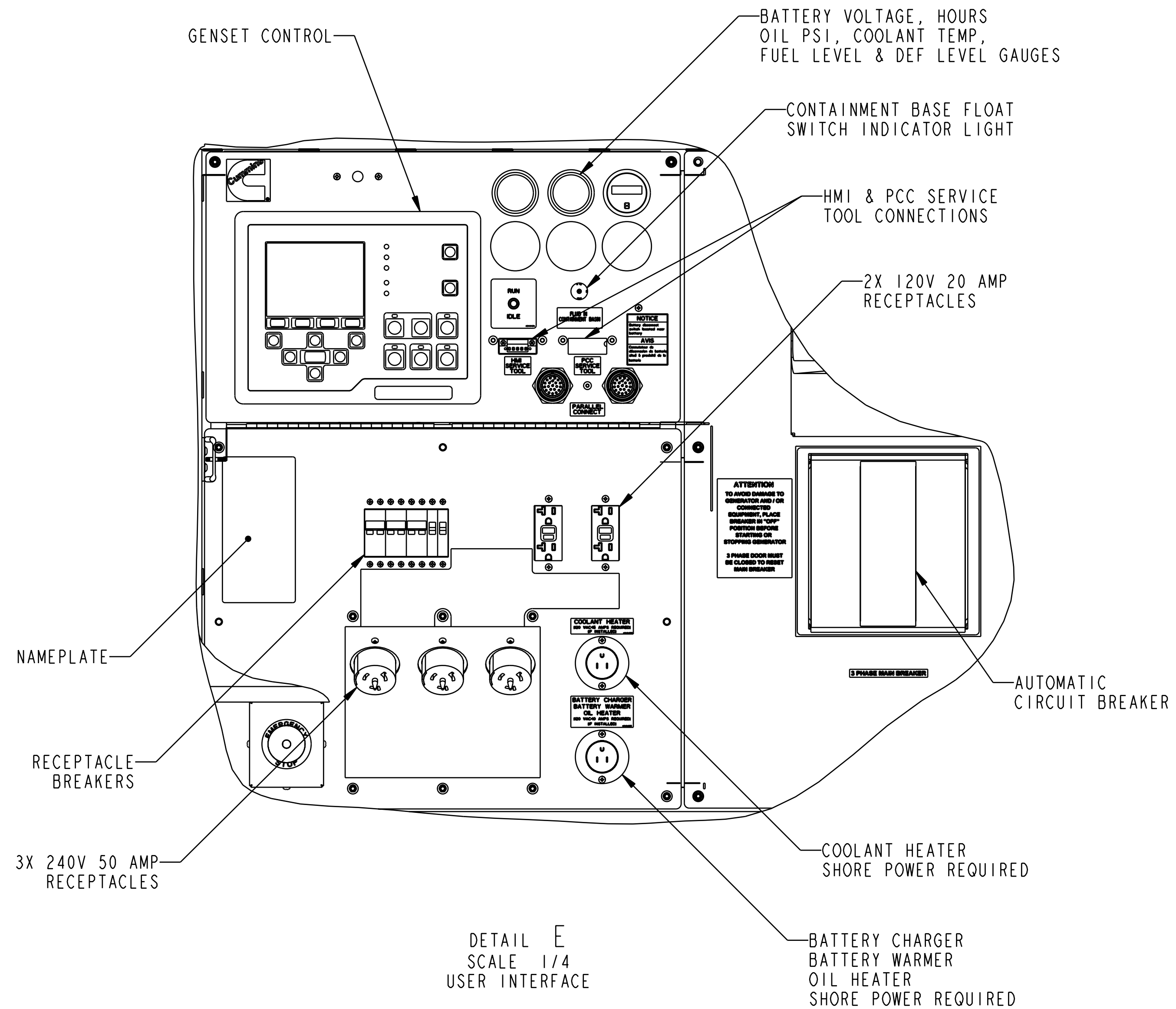
REL NO	REV	NO	REVISION	DWN	CKD	APVD	DATE
ECO-157443	A	1	PRODUCTION RELEASE	ARK	MK	P. VAIDYA	29DEC15



LUG CONNECTIONS  
12.7 MM TERMINAL RING REQUIRED

CAM LOCK CONNECTIONS  
SINGLE POLE DEVICE FEMALE TYPE PROVIDED,  
MATING CONNECTOR HUBBELL MALE TYPE, SERIES 16.

DETAIL D  
SCALE 1/4  
DISTRIBUTION PANEL  
LOAD TERMINAL CONNECTIONS



DETAIL E  
SCALE 1/4  
USER INTERFACE

UNLESS OTHERWISE SPECIFIED, ALL DIMENSIONS ARE IN MILLIMETERS		SIN TO A0452104	DWN A_KULKARNI		CUMMINS POWER GENERATION	
DO NOT SCALE PRINT			CKD M_KELL		OUTLINE, GENSET	
ANG TOL	SCALE	THIS DOCUMENT AND THE INFORMATION SHOWN THEREON IS CONFIDENTIAL AND PROPRIETARY AND SHALL NOT BE DISCLOSED TO OTHERS IN ANY COPY OR ELECTRONIC FORM. REPRODUCED BY ANY MEANS, OR USED FOR ANY PURPOSE WITHOUT WRITTEN CONSENT OF CUMMINS, INC.		APVD P_VAIDYA	SITE CODE	FOR INTERPRETATION OF DIMENSIONING AND TOLERANCING, SEE ASME Y14.5-2009
± 1.0°	1/16			DATE 29DEC15	PGF	FIRST USED ON C150/C200
				DWG SIZE D	A054F941	CAD SHEET 4 OF 4